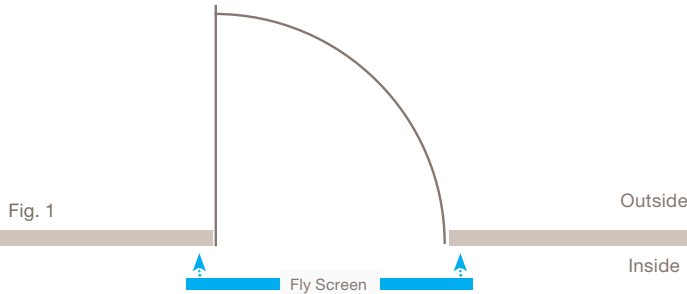
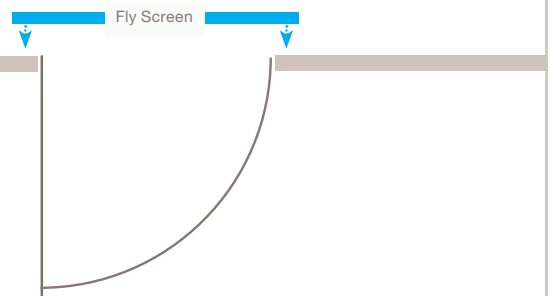


1 Do you fix your fly screen inside or outside the property?



If your door opens inwards you will need to mount the screen on the outside.

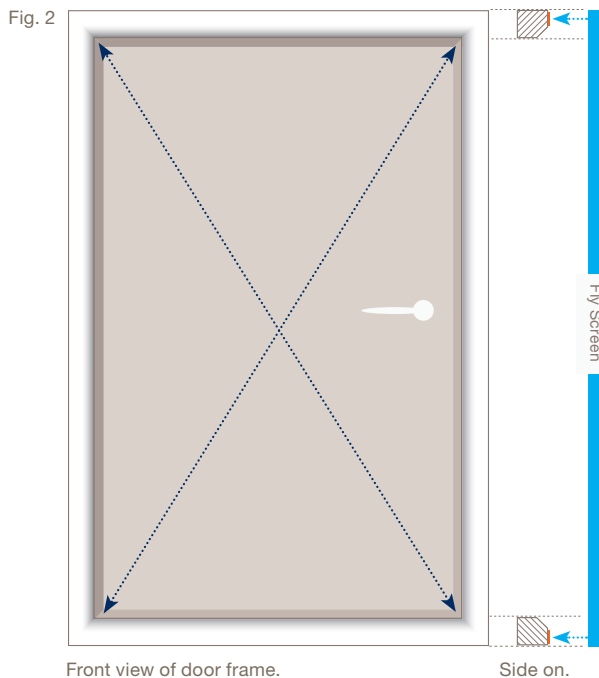
If your door opens outwards you will need to mount the screen on the inside.



2 Is your door opening suitable?

Ensure opening to be covered is square by measuring diagonally from the top right corner to the bottom left and then from the top left to the bottom right (Fig. 2). These two measurements should be equal (within 5mm).

! If they are not, please email info@diyflyscreens.co.uk for guidance.



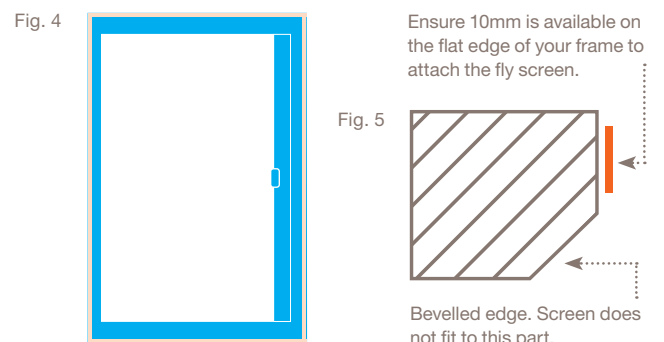
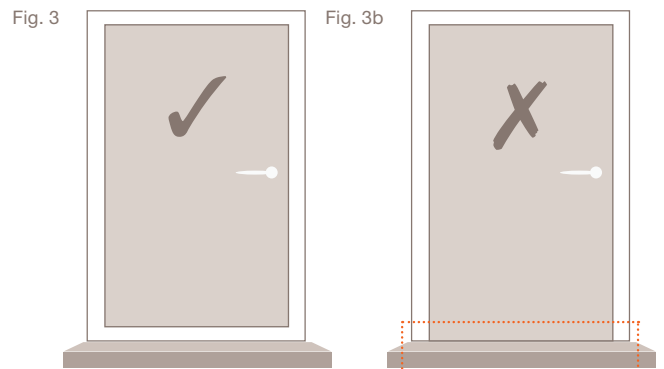
3 Is your door frame suitable?

Ensure you have a frame all the way around your door (Fig. 3/3b).

Ensure the surface you are fitting the screen to is flat, smooth and clear of any obstruction.

Ensure you have at least 10mm of flat surface on the outside edge of the frame for the adhesive strip (Fig. 4). This does not include the bevelled area (Fig. 5).

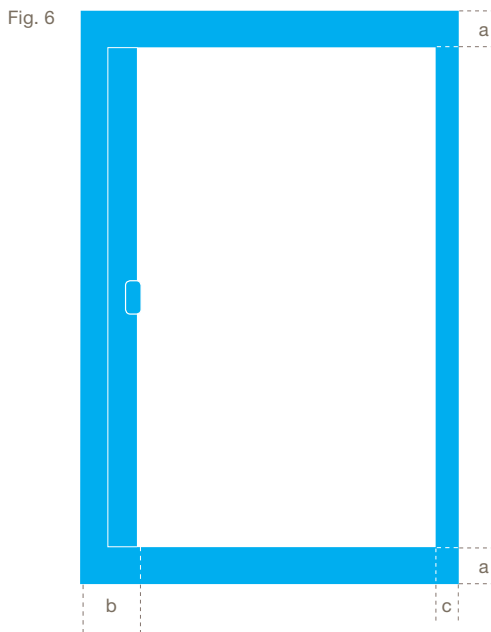
! If you have less than 10mm on any side please email us for guidance.



4 Will your screen 'overlap'?

DIY Fly Screen Dimensions (Fig 6).	Width (mm)	Depth (mm)
Width top/bottom (a)	36	25
Retractable side & slide bar (b)	78	40
Opposite side (c)	27	25

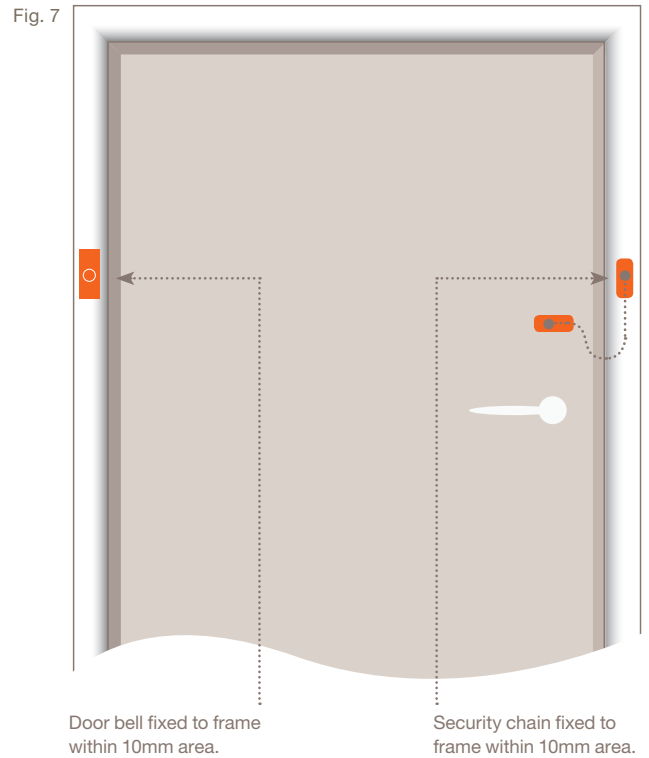
- Your screen should overlap the opening to allow access to the screen handles from both sides.
- If your door frame is thinner than the fly screen on any of the four sides, the fly screen will overlap your opening slightly.
- As long as you have 10mm of sticking surface your screen will still function correctly.



5 Check for obstructions

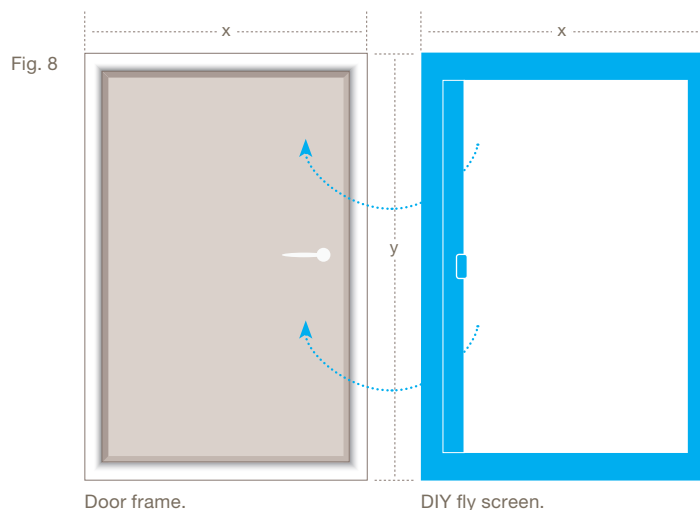
- We recommend that you mount the fly screen with the retractable housing on the hinged side of your frame to avoid obstructions.
 - Ensure that your door frame is free of any obstructions such as door bells (Fig. 7) so that you have a clean area to fix the fly screen to.
- ⚠️ If you have an obstruction which cannot be easily removed or worked around, please email for guidance.**

Examples of typical obstructions:



6 Measure your screen size

- Measure from where you want the outer edge of the fly screen to sit (Fig. 8). Note: On the non-hinged side, the screen edge should sit a maximum of 20mm (excluding bevels) away from the opening. Your width (x) and height (y) will be equal to the total width and height of your fly screen frame.



Measurements	mm
Height (y)	
Width (x)	

- ⚠️ Please take care when providing us with your measurements as we cannot accept returns of made-to-measure products.**

